

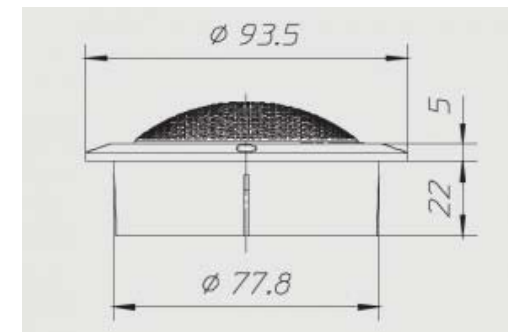
2"-50mm | 4Ω | 160W Max

Soft dome in tela con magnete in neodimio, orientabile



Mechanical data

Overall Diameter	93,5 mm
Depth (escluded flange)	22 mm
Flange and gasket thickness	5 mm
Baffle cutout	78 mm
Rear mount baffle cutout	-
N. of mounting hole	4
Mounting hole diameter	-
Bolt circle diameter	86 mm
Air volume occupied by speaker	-
Sigle Shipping Weight	0,20 Kg
Single Shipping Box	-
Master carton quantity	6 Pz



Materials

Frame Material	-
Magnet Type	Neodimio
Cone material	Tela
Cone Shape	Cupola
Surround Material	-
Suspension Material	-

Former Material	Kapton
Winding Material	-
Connectors Type	-
Winding Height	-
Air Gap Height	2,5
Construction Note	-

General specification

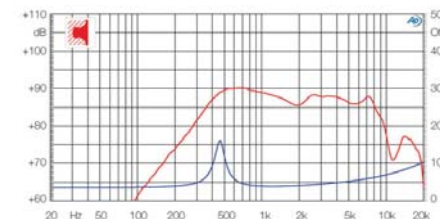
Nominal diameter	2"-50mm
Nominal Impedance	4 Ω
Maximum Power Handling	160 W
Nominal Power Handling (AES)	80 W
Sensitivity (1W/1m)	88 dB
Voice Coil Diameter	50 mm
Throat Diameter	-
Opt. Accessoires	-
Incl. Accessoires	-
Recone Kit Code	-

T/S parameters

Re	3,30 Ω
Fs	450 Hz
Qms	4,20
Qes	1,35
Qts	1,00
Mms	4 g
Cms	-
BxL	5,25 Wb/m
D	55 mm
Vas	-
Xmax	0,25 mm
η0	-
Le	0,05 mH

Diagram

Measurement details	-
---------------------	---



Applications

Frequency range	500-8.000 Hz
Suggested use	-
Recomm. Crossover Freq.	-
Recommended Enclosure Type	-
Recomm. Vented Enc Volume	-
Recomm. Sealed Enc. Volume	-
Recomm. Tuning Freq.	-
Related design	-