

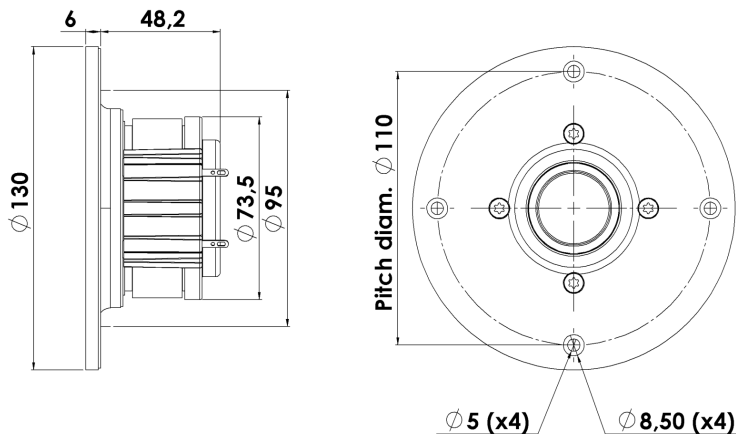


# REVELATOR

## TWEETER

## D2905/990000

D2905/990000 - The original Revelator tweeter - is build on the heritage of our successful Classic tweeters, continuing with Symmetrical Drive (SD-2) motor design which includes copper caps, the non resonant chamber and the special treated textile 29mm dome and further optimized optimized for the ultimate performance utilizing a large machined aluminium wave guide front.



### KEY FEATURES:

- Excellent Sound Reproduction
- Patented Symmetrical Drive (SD-2) motor
- Large Wave Guide Front
- 1" Textile Dome Diaphragm
- Wide Surround Textile Diaphragm
- Black Anodized Mashined Alu Face Plate

#### T-S Parameters

Resonance frequency [fs]	500 Hz
Mechanical Q factor [Qms]	4.83
Electrical Q factor [Qes]	0.72
Total Q factor [Qts]	0.63
Force factor [Bl]	3.5 Tm
Mechanical resistance [Rms]	0.29 kg/s
Moving mass [Mms]	0.45 g
Compliance [Cms]	0.23 mm/N
Effective diaph. diameter [D]	33 mm
Effective piston area [Sd]	8.5 cm <sup>2</sup>
Equivalent volume [Vas]	0.02 l
Sensitivity (2.83V/1m)	91 dB
Ratio Bl/√Re	1.61 N/√W
Ratio fs/Qts	795 Hz

#### Notes:

IEC specs. refer to IEC 60268-5 third edition.  
All Scan-Speak products are RoHS compliant.  
Data are subject to change without notice.  
Datasheet updated: January 22, 2014.

#### Electrical Data

Nominal impedance [Zn]	6 Ω
Minimum impedance [Zmin]	5.6 Ω
Maximum impedance [Zo]	36.1 Ω
DC resistance [Re]	4.7 Ω
Voice coil inductance [Le]	0.01 mH

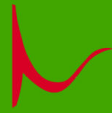
#### Power Handling

100h RMS noise test (IEC 17.1)*	225 W
Long-term max power (IEC 17.3)*	430 W

\*Filter: 2. order HP Butterworth, 2.8 kHz

#### Voice Coil & Magnet Data

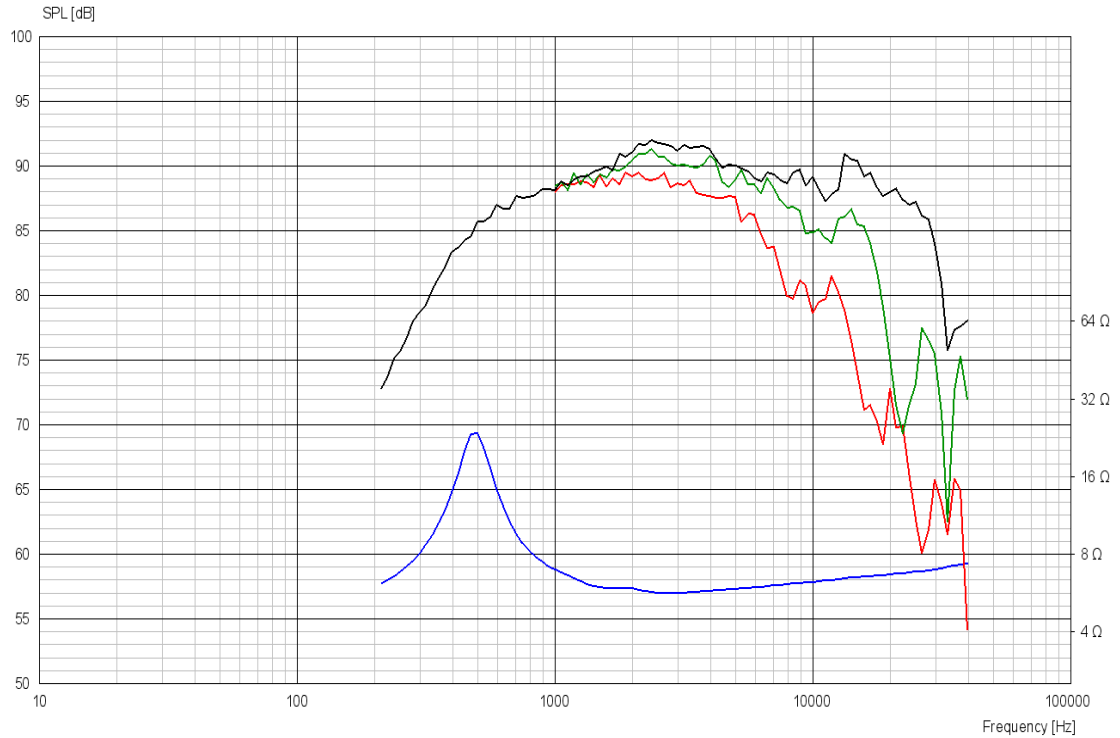
Voice coil diameter	28 mm
Voice coil height	3.3 mm
Voice coil layers	2
Height of gap	2.5 mm
Linear excursion	± 0.4 mm
Max mech. excursion	± 1.5 mm
Unit weight	0.8 kg



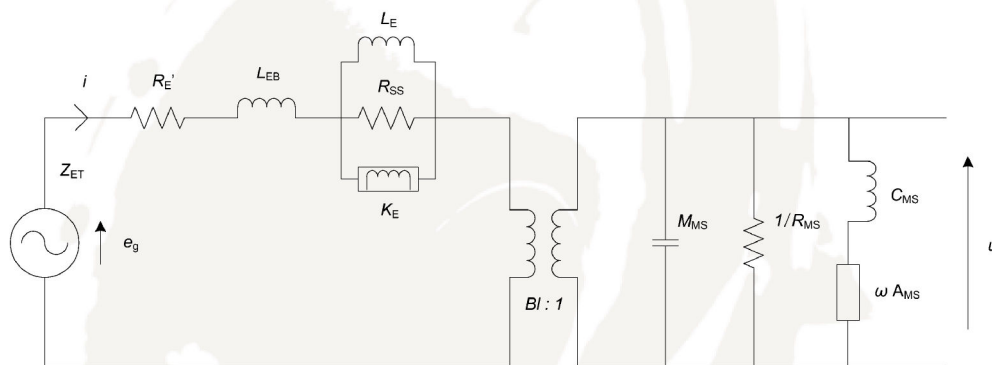
# REVELATOR

## TWEETER

## D2905/990000



### Advanced Parameters (Preliminary)



#### Electrical data

Resistance [Re']	- Ω
Free inductance [Leb]	- mH
Bound inductance [Le]	- mH
Semi-inductance [Ke]	- SH
Shunt resistance [Rss]	- Ω

#### Mechanical Data

Force Factor [BI]	- Tm
Moving mass [Mms]	- g
Compliance [Cms]	- mm/N
Mechanical resistance [Rms]	- kg/s
Admittance [Ams]	- mm/N

