

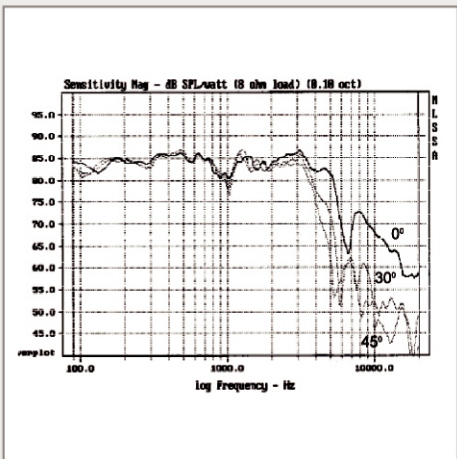
MW 144 -5" BASS MIDRANGE

DCP Cone Double Magnet Vented Motor



FEATURES:

- Large Hexatech aluminum voice coil
- Double magnet system
- High power handling
- Shallow profile DCP cone



Specifications

| | | |
|-----------------------------|----|--------------------------|
| Overall Dimensions | | 142mm(5.59")x52mm(2.05") |
| Nominal Power Handling (DN) | P | 150 W |
| Transient power 10ms | | 1000 W |
| Nominal Impedance | Z | 8 Ohms |
| Sensitivity 1W/1M | | 88 dB |
| Frequency Response | | 35 - 5000 Hz |
| Resonant Frequency | FS | 52 Hz |

Voice coil

| | | |
|------------------------------|-----|-------------------|
| Voice Coil Diameter | DIA | 75mm (3") |
| Voice Coil Height | | 12.0mm (0.47") |
| Voice Coil Former | | Aluminum |
| Voice Coil Wire | | Hexatech Aluminum |
| Number of Layers | | 2 |
| DC Resistance | RE | 5.20 Ohms |
| Voice Coil Inductance @ 1KHz | LBM | 0.50 mH |

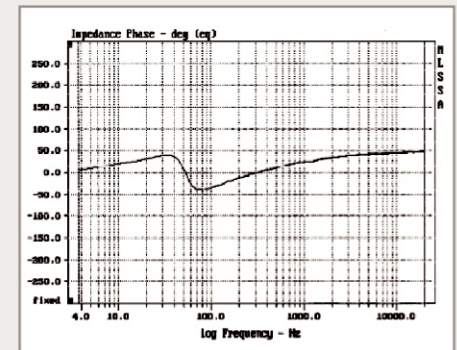
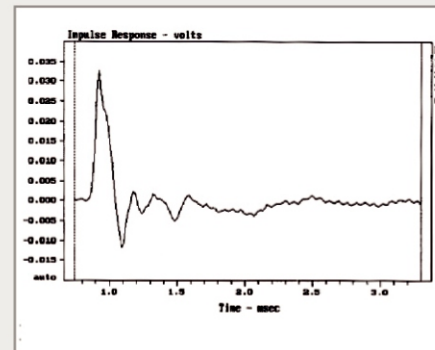
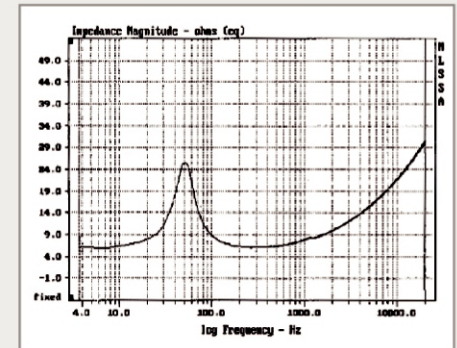
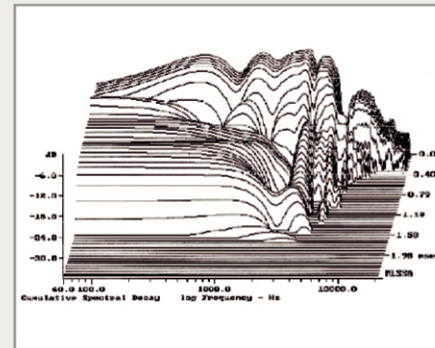
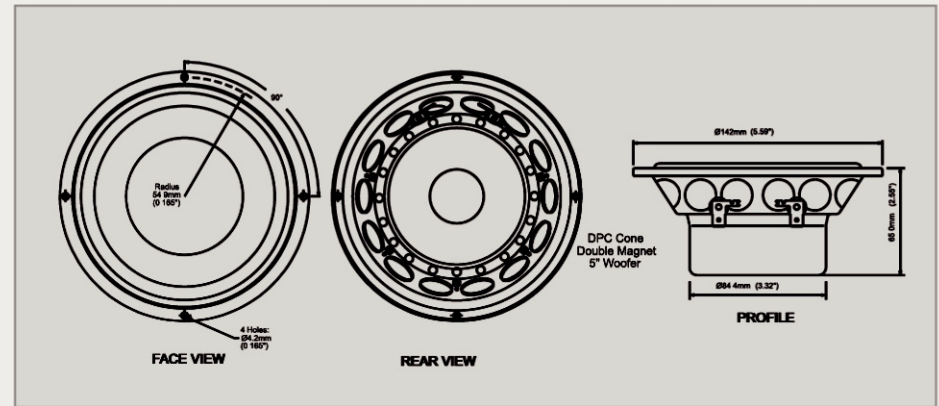
Magnet System

| | | |
|--------------------------|-----|-----------------------|
| Magnet System Type | | Double magnet Ferrite |
| HE - Magnetic Gap Height | HE | 5mm (0.20") |
| B Flux Density | B | 0.68 T |
| BL Product | BXL | 6.20 N.A |
| Max. Linear Excursion | X | +/-3.5mm (0.137") |

Operational Parameters

| | | |
|---------------------------|-----|--------------------|
| Suspension Compliance | CMS | 686 μ M / N |
| Mechanical Q Factor | QMS | 2.44 |
| Electrical Q Factor | QES | 0.71 |
| Total Q Factor | Q/T | 0.55 |
| Mechanical Resistance | RMS | 1.76 Kg. |
| Moving Mass | MMS | 13.68. |
| Eq. Cas Air Load (liters) | VAS | 8.00 L |
| Cone / Dome Material | | DPC |
| Effective Piston Area | SD | 90 cm ² |
| Net Weight | Kg. | 1.0 Kg. |

MW 144



morel HIGH FIDELITY



www.morelhifi.com