

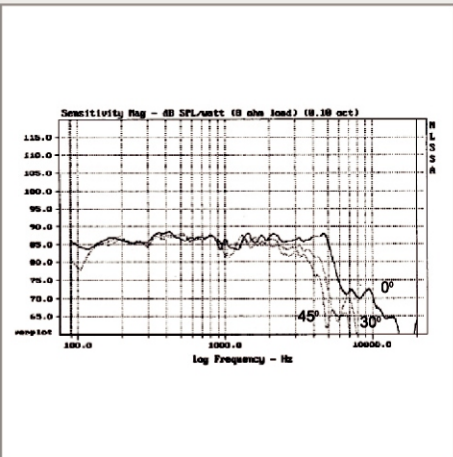
# HU 631 NEW – 6" BASS MIDRANGE

Uniflow Diecast Chassis, Hybrid Mgnet Motor



## FEATURES:

- Hybrid magnet vented motor
- Large Hexatech aluminum voice coil
- Aluminium diecast chassis
- High power handling
- Shallow profile DCP cone



## Specifications

Overall Dimensions		160.5mm(6.51")x68mm(2.57")
Nominal Power Handling (DN)	P	180 W
Transient power 10ms		1500 W
Nominal Impedance	Z	8 Ohms
Sensitivity 1W/1M		88 dB
Frequency Response		20 - 5000 Hz
Resonant Frequency	FS	44 Hz

## Voice coil

Voice Coil Diameter	DIA	75mm (3")
Voice Coil Height		14.5mm (0.57")
Voice Coil Former		Aluminum
Voice Coil Wire		Hexatech Aluminum
Number of Layers		2
DC Resistance	RE	6.80 Ohms
Voice Coil Inductance @ 1KHz	LBM	0.63 mH

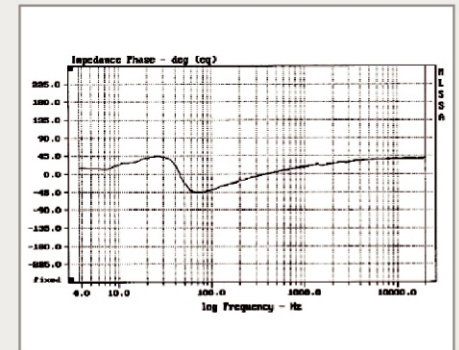
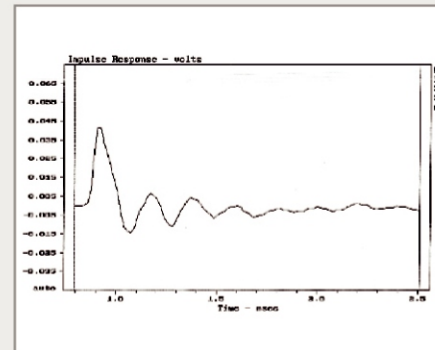
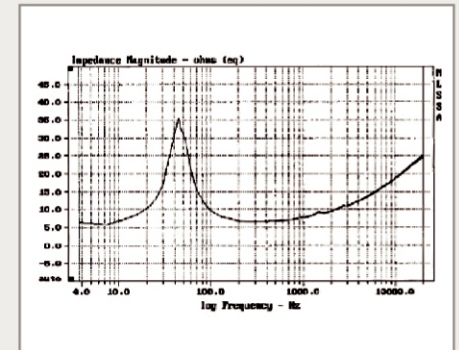
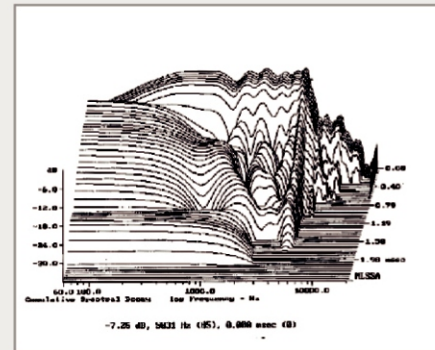
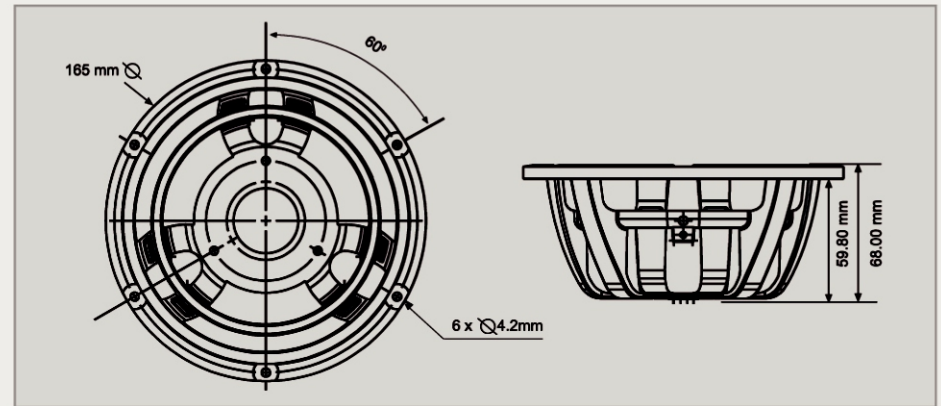
## Magnet System

Magnet System Type		Hybrid, Rear Vented
HE - Magnetic Gap Height	HE	6mm (0.24")
B Flux Density	B	0.8 T
BL Product	BXL	8 N.A
Max. Linear Excursion	X	+/-4.25mm (0.167")

## Operational Parameters

Suspension Compliance	CMS	980 uM / N
Mechanical Q Factor	QMS	1.81
Electrical Q Factor	QES	0.40
Total Q Factor	Q/T	0.32
Mechanical Resistance	RMS	2.11 Kg.
Moving Mass	MMS	13.87 gm.
Eq. Cas Air Load (liters)	VAS	19.50 L
Cone / Dome Material		DPC
Effective Piston Area	SD	119 cm <sup>2</sup>
Net Weight	Kg.	1.18 Kg.

# HU 631



morel HIGH FIDELITY



www.morelhifi.com